



## Specifications: IPD-RS82-EZ

## Mounting hardware included

System Type	8.0" Coax, open-ceiling, ported, Dante™-enabled, network
Frequency Response ( - 3 dB) <sup>1</sup>	100 Hz - 22 kHz
Frequency Response ( - 10 dB) <sup>1</sup>	80 Hz - 22 kHz
Max. Power SPL @ 1 m	110 dB
Coverage Angle (-6 dB @ 2 kHz)	107°
Coverage Angle (-6 dB @ 10 kHz)	38°
Coverage Angle (averaged 2-10 kHz)	82°
Transducer - Low Frequency Driver	203 mm (8.0 in.) Polypropylene cone, butyl rubber surround
Transducer- High Frequency Driver	25 mm (1.0 in.) silk dome tweeter with BroadBeam Ring
Low Frequency Voice Coil	25.4 mm (1.00 in)
Crossover Frequency	2.5 kHz
Network Type: Low Pass	12dB per octave, 2nd order
Network Type: High Pass	12dB per octave, 2nd order
Enclosure Material	Injection molded ABS, glass fiber reinforced
Grille	Powder coated aluminum
Inputs	RJ45 ethernet port
Colors	Black or white (paintable)
Height	327.7 mm (12.90 in.)
Diameter	325.9 mm (12.83 in.)
Weight	3.6 kg (8.0 lbs.)
Shipping Weight	4.5 kg (10.0 lbs.)
Packaging	One per box
Included Accessories	Hanging hardware, weather plug, cover plate
Optional Accessories	N/A
Regulatory - UL	UL 60065 Listed
Regulatory - CE	Approved
RoHS	Approved

<sup>1</sup> Frequency response measured in half or full space as dictated by speaker mounting configuration

## Key Features

- IP addressable, self powered (PoE) speaker.
- Dante™ I/O for interconnectivity with Dante™-enabled audio systems.
- One 203 mm (8.0 in.) coaxial driver and one 25 mm (1.0 in) silk dome tweeter with BroadBeam Ring™ technology for consistently smooth high frequency directivity.
- Fast connection of power, audio and control functions via one CAT5 or CAT6 cable.
- 40 watts PoE provided by SoundTube STNet-Switch; also works with standard PoE plus and PoE switches.
- Provides report-back on any problems via SoundTube software.
- Weatherized components for indoor and outdoor applications.
- Includes hanging hardware with galvanized steel cables and hanging bracket for fast, easy and secure installation. Unit may be hung or mounted direct-to conduit via locking cover plate.
- Enclosure constructed of injection molded ABS with glass fiber reinforcement for lasting durability in indoor or outdoor applications.
- Aluminum grille with protective powder coated finish.
- Unit ships in eco-friendly, recyclable packaging.
- UL 60065 listed.
- High-quality black or white paint finish. Speaker is paintable.
- Included accessories: hanging hardware, terminal weather boot, cover plate.

## Description

The IPD-RS82-EZ is an 8-inch, coaxial open-ceiling speaker for IP-addressable audio networks on the Dante™ platform. Hanging hardware is included and features a built in hanging bracket and screw-on cover plate for fast, easy and secure installation. The unit may be mounted direct-to conduit via the locking cover plate (see installation instructions for additional information).

Power, audio and control are delivered to the speaker via a CAT5 or CAT6 cable; connection on the other end is made to a PoE or PoE+ switch, or to SoundTube's STNet-Switch, which provides 40 watts PoE (Power over Ethernet) to each speaker. Configuration and zoning of the speaker is done via software. Should any problem occur with the speaker during operation, it will be reported immediately via SoundTube monitoring software.



## Applications

Designed for superior off-axis performance and easy installation, the IPD-RS82-EZ offers attractive styling in an economical speaker for open-ceiling uses. The RS82-EZ includes hanging cables and a built in mounting plate for suspending the speaker; a threaded opening is provided on top of its cover plate for direct-to-conduit mounting. Cost-effective engineering with high-performance sound makes the IPD-RS82-EZ speaker ideal for music and paging applications in retail, grocery stores, restaurants, hotels, casinos, museums, trade shows and conference rooms.

## Patented SoundTube Technologies

SoundTube Entertainment and MSE Audio Group constantly develop new technologies that enhance audio product performance. SoundTube Entertainment innovations are protected by multiple U.S. and international patents, which explicitly cover SoundTube dispersion, enclosure and dome technologies. MSE Audio Group actively defends its patents in order to protect SoundTube resellers and end users.

## Technical Data and Specification Tools

### Technical Data

SoundTube Entertainment strives to provide complete and effective technical information and data to dealers, engineers and designers. All data are available from SoundTube Entertainment or at [www.soundtube.com](http://www.soundtube.com).

Technical data and downloads include:

EASE™ data – 3-D polar plots.

EASE™ Address – 2-D modeling for distributed systems

Autodesk® Revit® software

Tech Sheets – Technical information and architectural specs for system engineers

SoundTubeSPEC™ – Proprietary speaker placement software

### Data Acquisition and Verification

All data for SoundTube speakers is independently collected and verified by a third party. All data is collected and analysed according to ASTM, ISO and AES standards using EASERA, TEF and MLSSA. Full balloon data including both

phase and magnitude is compiled into a variety of formats including EASE 4.x, GLL and CLF.

## Architectural Specifications

The loudspeaker shall consist of one 203 mm (8.0 in.) low frequency driver and one 25 mm (1.0 in.) high frequency driver. The low frequency voice coil diameter shall be 25.4 mm (1.0 in.). The high frequency transducer shall have a silk dome tweeter with BroadBeam Ring™ technology.

Performance specifications of a typical production unit shall be as follows: Usable frequency range shall extend from 80 Hz – 22 kHz (-10 dB). The frequency dividing network shall have a crossover frequency of 2.5 kHz. The unit shall accept 40 watts PoE in addition to PoE plus and standard PoE, as well as the audio signal from a provided network switch, and shall be configurable via software. Maximum continuous output at 1 meter with a 40 watt input shall be 100 dB.

Installation shall be by galvanized steel cable attached to the speaker chassis via fixed cable end that interlocks with integrated mounting bracket. Alternatively, installation shall be available via direct conduit connection to the unit's top cover plate. The external wiring shall be via RJ45 ethernet port, accepting standard CAT5 or CAT6 ethernet cable. The system shall be for indoor and outdoor applications and shall have a weather-resistant plug protecting all wire connectors inside the cover plate.

The enclosure shall be constructed of injection-molded ABS. The grille shall be constructed of powder-coated aluminum for lasting performance in the elements. Overall cabinet dimensions shall be no more than 327.7 mm (12.9 in.) in height by 325.9 mm (12.8 in.) in diameter. The unit shall weigh no more than 3.6 kg (8.0 lbs.) and shall include hanging hardware and weather-resistant cover plate plug.

The system shall be the SoundTube IPD-RS82-EZ with hanging hardware for Dante™ applications.

## SoundTube Entertainment

6430 Business Park Loop Road  
Park City, Utah 84098

Phone 435.647.9555

Fax 435.647.9666

Toll Free 800.647.TUBE

[www.soundtube.com](http://www.soundtube.com)

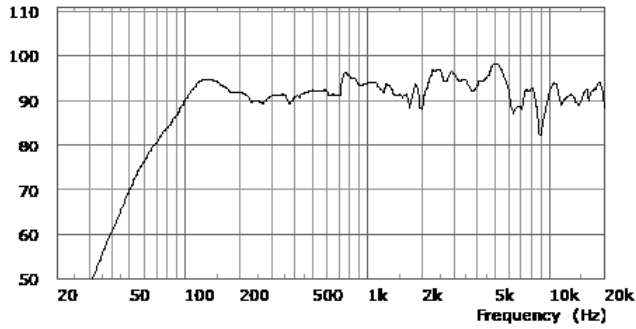
All SoundTube products come with a 5-year limited warranty.



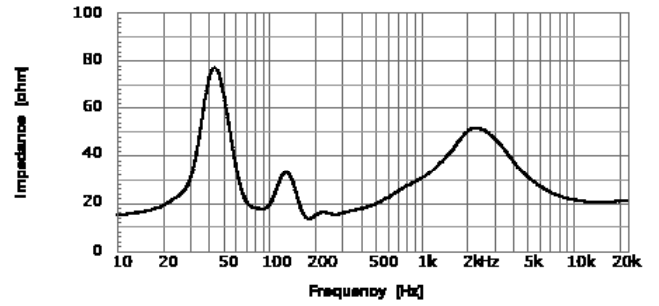
## Graphs and Plots

### Frequency Response

(dB) Level, Sound pressure

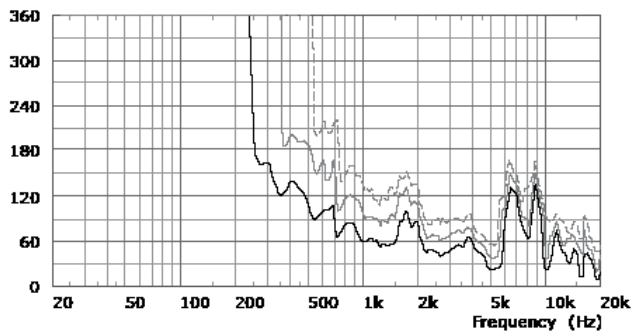


### Impedance/Phase



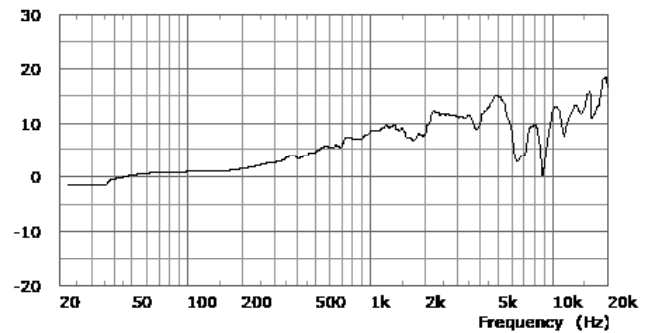
### Vertical Beamwidth

(deg) Degree



### Directivity Index (DI)

(W) Power

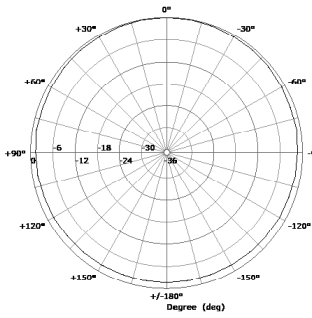




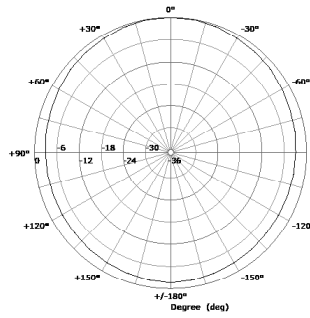
### Polar Plots

—— Horizontal  
- - - - Vertical

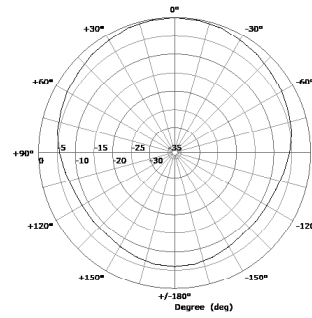
#### 125 Hz



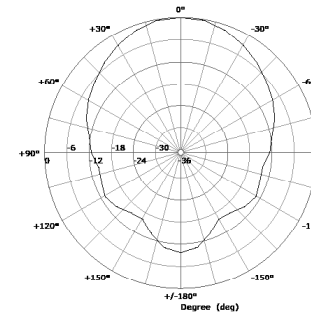
#### 250 Hz



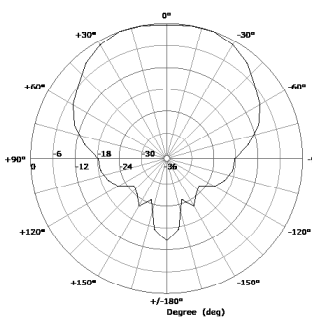
#### 500 Hz



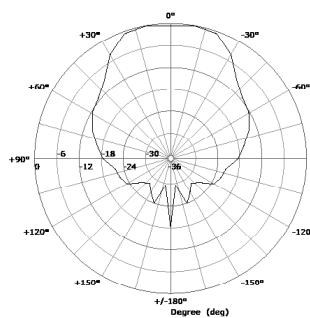
#### 1,000 Hz



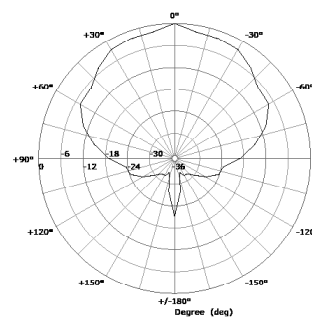
#### 2,000 Hz



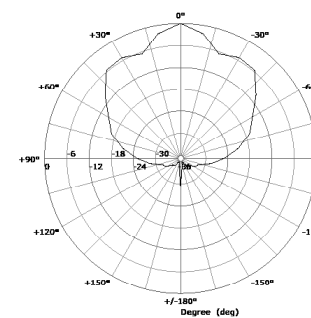
#### 4,000 Hz



#### 8,000 Hz



#### 10,000 Hz



### Mechanical Drawings

